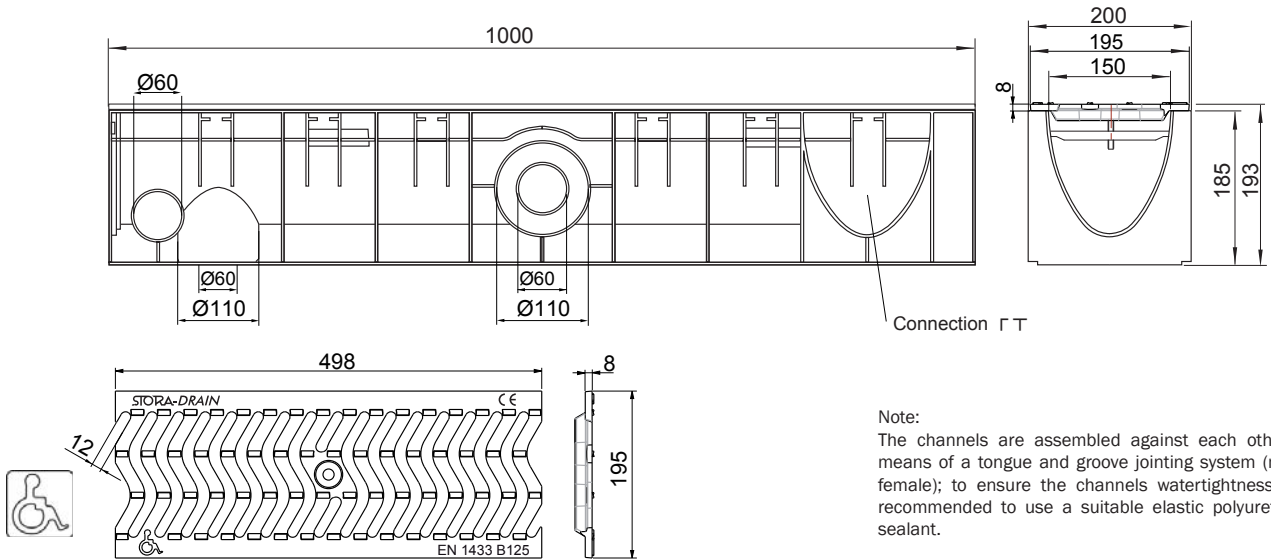


STORA-ELLIPSE Type SB150

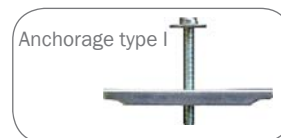
With ductile iron gratings B125, and anchorages



Dimensions and characteristics

	CHANNEL	GRATING
Length (mm)	1000	498
External width (mm)	200	195
Internal width (mm)	150	-
Height (mm)	185	8
Material	polypropylene	Cast Iron*
Weight (Kg)	3,70	(2x) 4,00
Total weight: 11,70 Kg	-	-
Drainage capacity (dm ²) / Volume (l)	-	3,2/-
Side outlet	Ø 60 + Ø 110	-
Vertical outlet	Ø 60 + Ø 110	-
Resistance	-	B125 (acc EN1433)
Units per pallet (pcs=m)	25 (assembled)	-
Grating fixing system	-	Anchorage type I

* type GJS 500/7 (EN1563)



Application



sidewalks, pedestrian areas and comparable areas, private car parks or car parking decks



Installation instructions are available on our website.